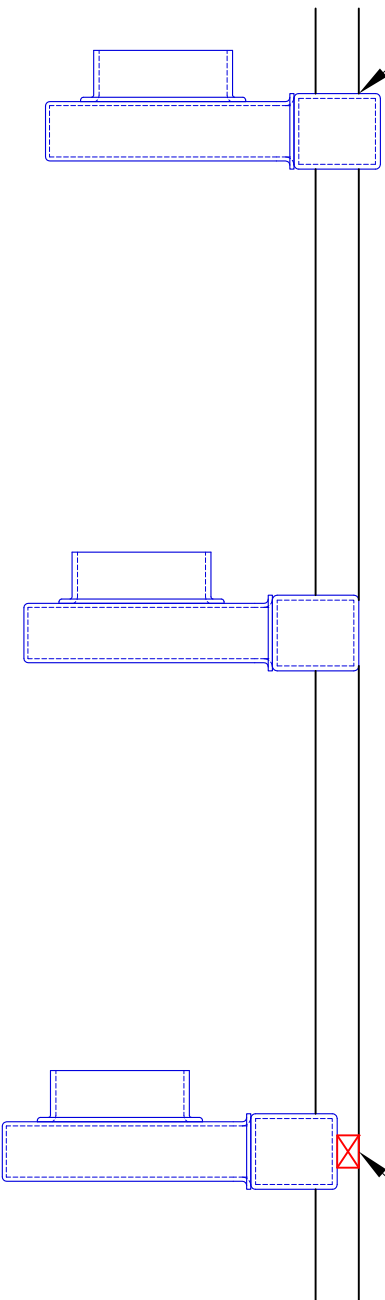


LINEAR DIFFUSER
CUT AT SLAB



FOAM BLOCK
TO BE REMOVED

LINEAR DIFFUSER ASSEMBLIES

THE BLUEDUCT™	
DESIGNER:	IRKINNE
SCALE:	NTS
DATE:	11/19/2013